

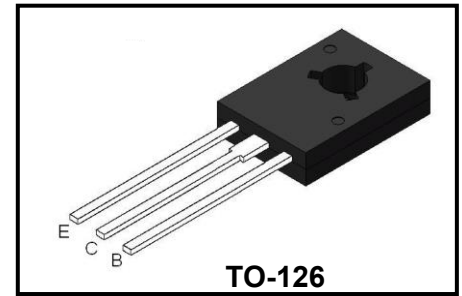
PNP Plastic-Encapsulate Transistors

Applications

- ↓Audio power amplifier
- ↓DC-DC convertor
- ↓Voltage regulator

Features

- ↓High current output up to 3A
- ↓Low saturation voltage
- ↓Complement to 2SD882



Absolute Maximum Rating (T_C=25°C unless otherwise noted)

Parameter	Symbol	Value	Unit
Collector-Base Voltage	BV _{CBO}	-40	V
Collector-Emitter Voltage	BV _{CEO}	-30	V
Emitter-Base Voltage	BV _{EBO}	-5	V
Collector Current	I _C	-3	A
Power Dissipation	P _C	T _A =25°C	1
		T _C =25°C	10
Junction Temperature	T _j	150	°C
Storage Temperature	T _{stg}	-55~150	°C

Electrical Characteristics (T_C=25°C unless otherwise noted)

Parameter	Symbol	Conditions	Min	Typ	Max	Unit
Collector-base breakdown voltage	BV _{CBO}	I _C = -100μA, I _E = 0	-40			V
Collector-emitter breakdown voltage	BV _{CEO}	I _C = -1mA, I _B = 0	-30			V
Emitter-base breakdown voltage	BV _{EBO}	I _E = -100μA, I _C = 0	-5			V
Collector cut-off current	I _{CEO}	V _{CB} = -40V, I _B = 0			-1	μA
Emitter cut-off current	I _{EBO}	V _{EB} = -5V, I _C = 0			-1	μA
DC current gain*	h _{FE1}	V _{CE} = -2V, I _C = -20mA	80			
	h _{FE2}	V _{CE} = -2V, I _C = -1A	100		400	
Collector-emitter saturation voltage*	V _{CE(sat)}	I _C = -2A, I _B = -0.2A		-0.3	-0.5	V
Base-emitter saturation voltage*	V _{BE(sat)}	I _C = -2A, I _B = -0.2A		-1.0	-2.0	V
Transition frequency	f _T	V _{CE} = -5V, I _B = -0.1A	50			MHz
Output Capacitance	C _{ob}	V _{CB} = -10V, I _E = 0, f = 1MHz		45		pF

* Pulse test: PW ≤ 300μs, duty cycle ≤ 2% Pulse

h_{FE2} Classification

Classification	Q	P	E
Range	100-200	160-320	200-400
Marking	YFW 2SB772 Q	YFW 2SB772 P	YFW 2SB772 E

Typical Characteristics

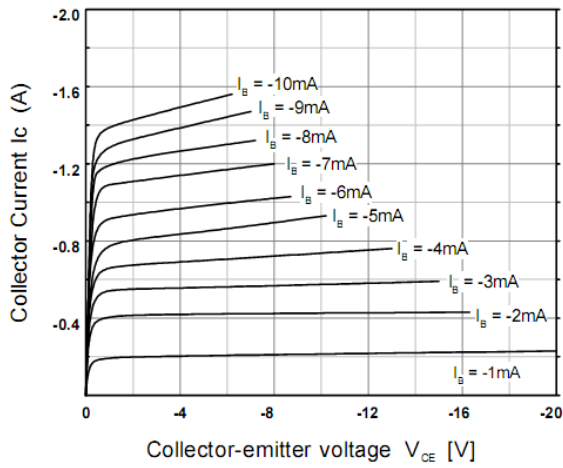


Figure 1. Static Characteristic

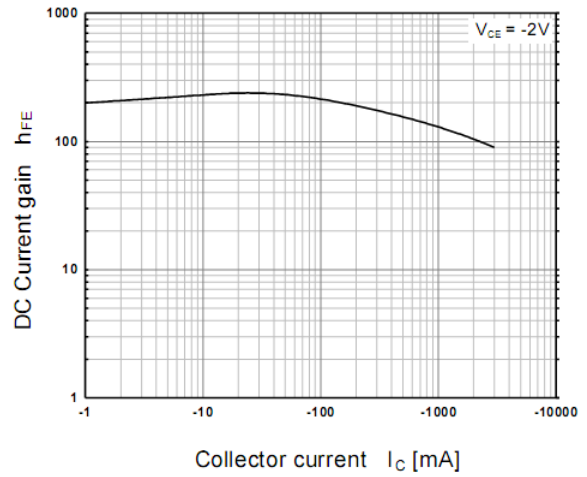


Figure 2. DC current Gain

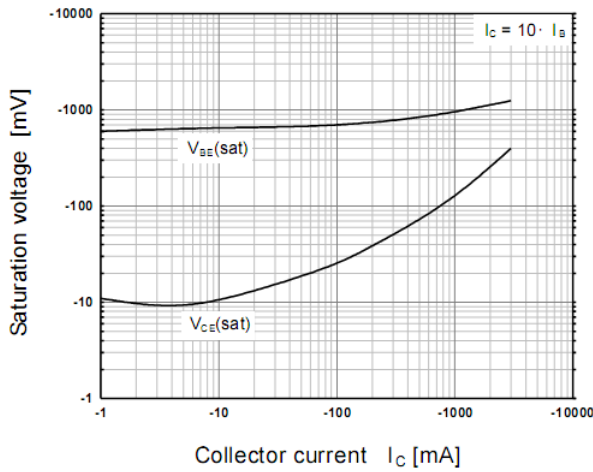


Figure 3. Base-Emitter Saturation Voltage
Collector-Emitter Saturation Voltage

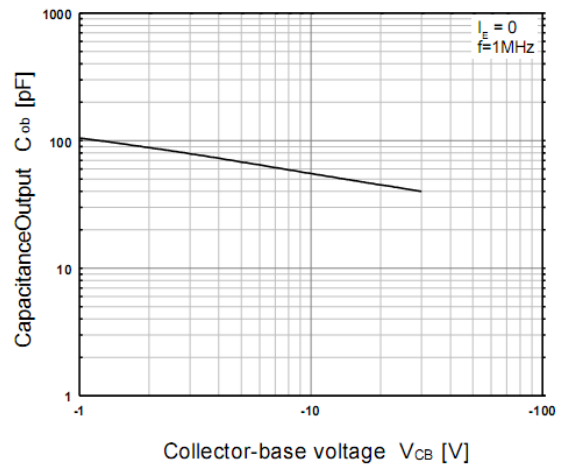


Figure 4. Collector Output Capacitance

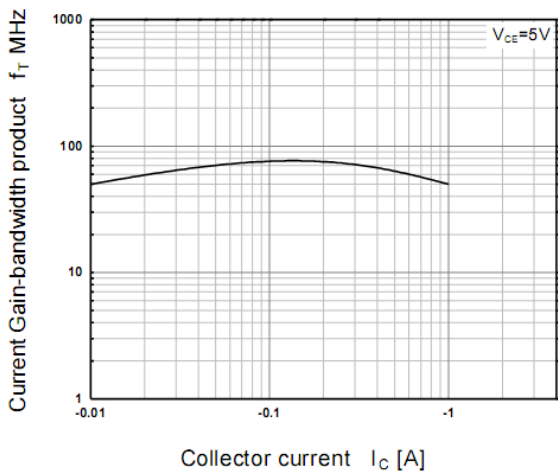


Figure 5. Current Gain-Bandwidth Product

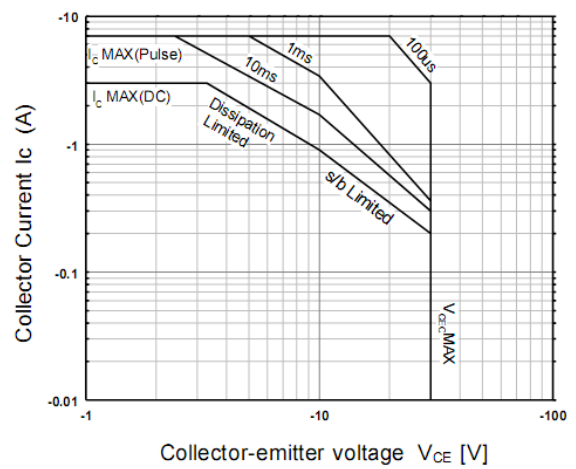


Figure 6. Safe Operating Area

Ordering information

Package	Packing Description	Base Quantity
TO-126	Bulk	500pcs/Bag

Package Dimensions

TO-126

Symbol	Millimeter		Inches	
	Min.	Max.	Min.	Max.
A	2.40	2.80	0.094	0.110
A1	1.00	1.40	0.039	0.055
b	0.66	0.86	0.026	0.034
b1	1.17	1.37	0.046	0.054
c	0.40	0.60	0.016	0.024
D	7.30	7.70	0.287	0.303
E	10.60	11.00	0.417	0.433
e	2.25	2.33	0.089	0.092
e1	4.50	4.66	0.177	0.183
L	14.00	15.00	0.551	0.591
L1	1.90	2.50	0.075	0.098
Φ	3.10	3.30	0.122	0.130

Disclaimer

The information presented in this document is for reference only. Guangdong Youfeng Microelectronics Co.,Ltd. reserves the right to make changes without notice for the specification of the products displayed herein to improve reliability, function or design or otherwise. The product listed herein is designed to be used with ordinary electronic equipment or devices, and not designed to be used with equipment or devices which require high level of reliability and the malfunction of which would directly endanger human life (such as medical instruments, transportation equipment, aerospace machinery, nuclear-reactor controllers, fuel controllers and other safety devices), YFW or anyone on its behalf, assumes no responsibility or liability for any damages resulting from such improper use of sale. This publication supersedes & replaces all information previously supplied. For additional information, please visit our website <https://www.yfwdiode.com>, or consult YFW sales office for further assistance.